



**SOPREMA**  
GROUP

*EXPERTS IN WATERPROOFING & INSULATION*

**ACOUSTIC  
PANEL**

# **Pure-kustik Technical Brochure**

# PURE-KUSTIK

## PRESENTATION

The PURE-KUSTIK range is available in panels made of polyester fibers from the recycling sector (60% recycled material).

The PURE-KUSTIK attenuates noise by absorbing sound waves in indoor spaces.

## PRINCIPLE

Thanks to the high sound absorption values, better acoustics are created in rooms where noise reverberation is an issue.

Once a room is treated, the comfort and intelligibility of verbal exchanges in a room is reduced. The size of the fiber and the transformation process aim for optimal porosity and tortuosity for the absorption of acoustic energy.

Polyester wool does not contain any toxic substances. The material does not form dust and does not contain chemical binders. The material has excellent dimensional stability after cutting.

## APPLICATIONS

- Perforated metal ceilings
- Suspended ceilings
- Islands & speakers
- Light partitions
- Rollover of machinery and equipment
- Office furniture industry

## SPECIFICATIONS

Characteristics	Units	Rules	Securities	
Nominal thickness	mm	-	40±3	
Density	kg/m3	IN ISO 845	50	
Thermal performance	W / m-K	IN 12667	Type D15	0,041
			Type D20	0,038
			Type D40	0,034

## FIRE CLASSIFICATION

Characteristics	Rules	Black	White/grey
Fire classification	ISO 13501-1:2002	B-s2,d0	B-s1,d0

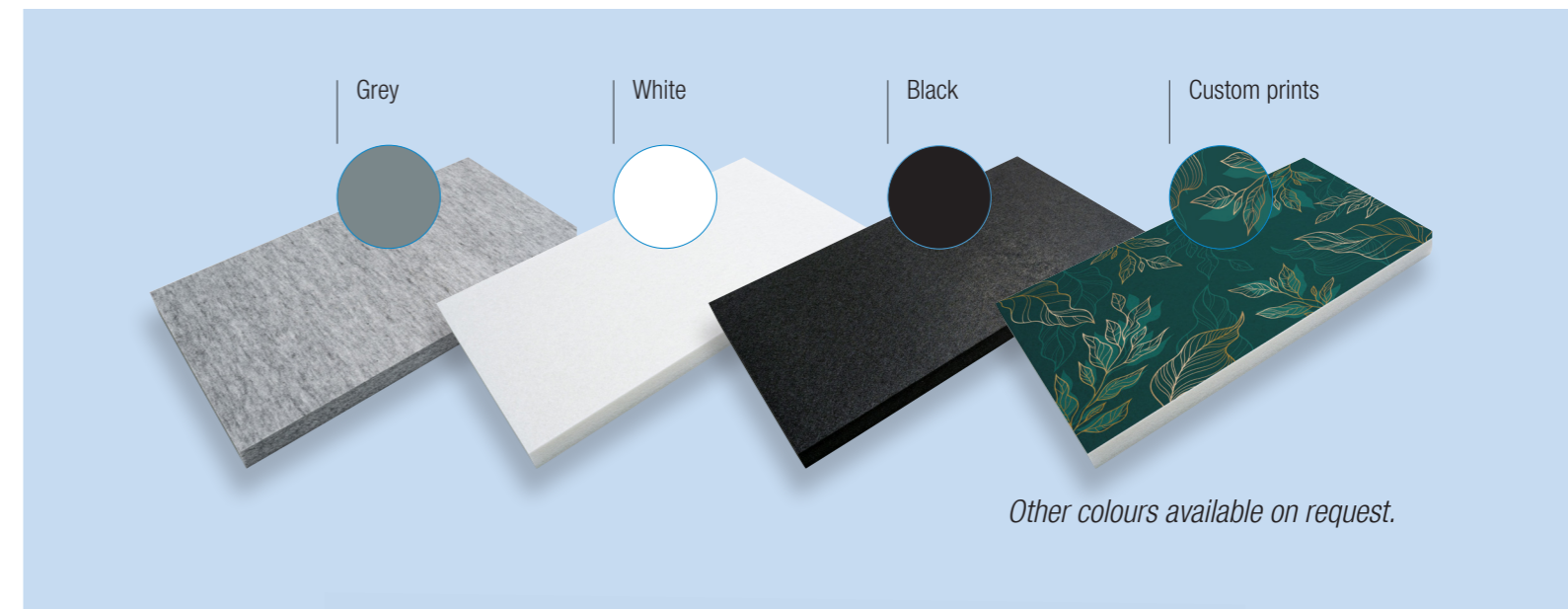
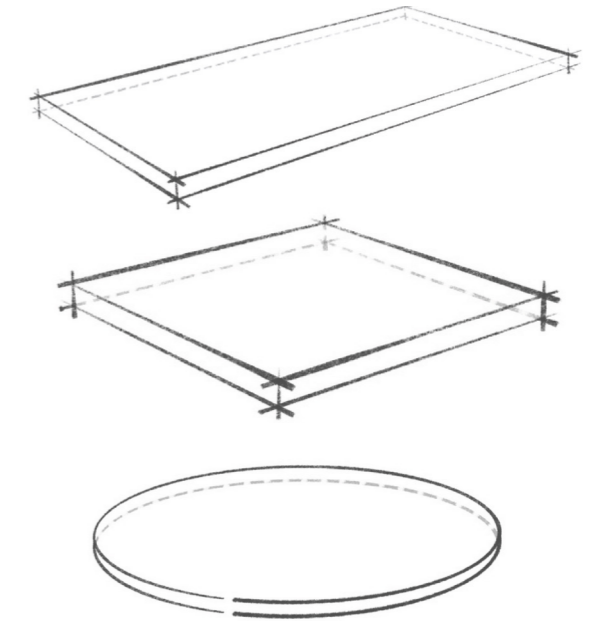


## SHAPES, APPEARANCE AND COLOURS

Rectangle (mm x mm)	Square (mm x mm)	Circle (mm)	
300/400 x 600	800 x 400	400 x 400	Island 300
300/400 x 1000	800 x 600	600 x 600	Island 400
300/400 x 1200	800 x 1000	800 x 800	Island 600
600 x 1000	1200x1600	1000 x 1000	Island 800
600 x 1200	1200x2000	1200 x 1200	Island 1000
800 x 300	1200x2400		Island 1200

Other formats and dimensions on request

Cutting tolerances: +/- 3 mm max. Elastic, non-deformable product with straight edges.



Other colours available on request.

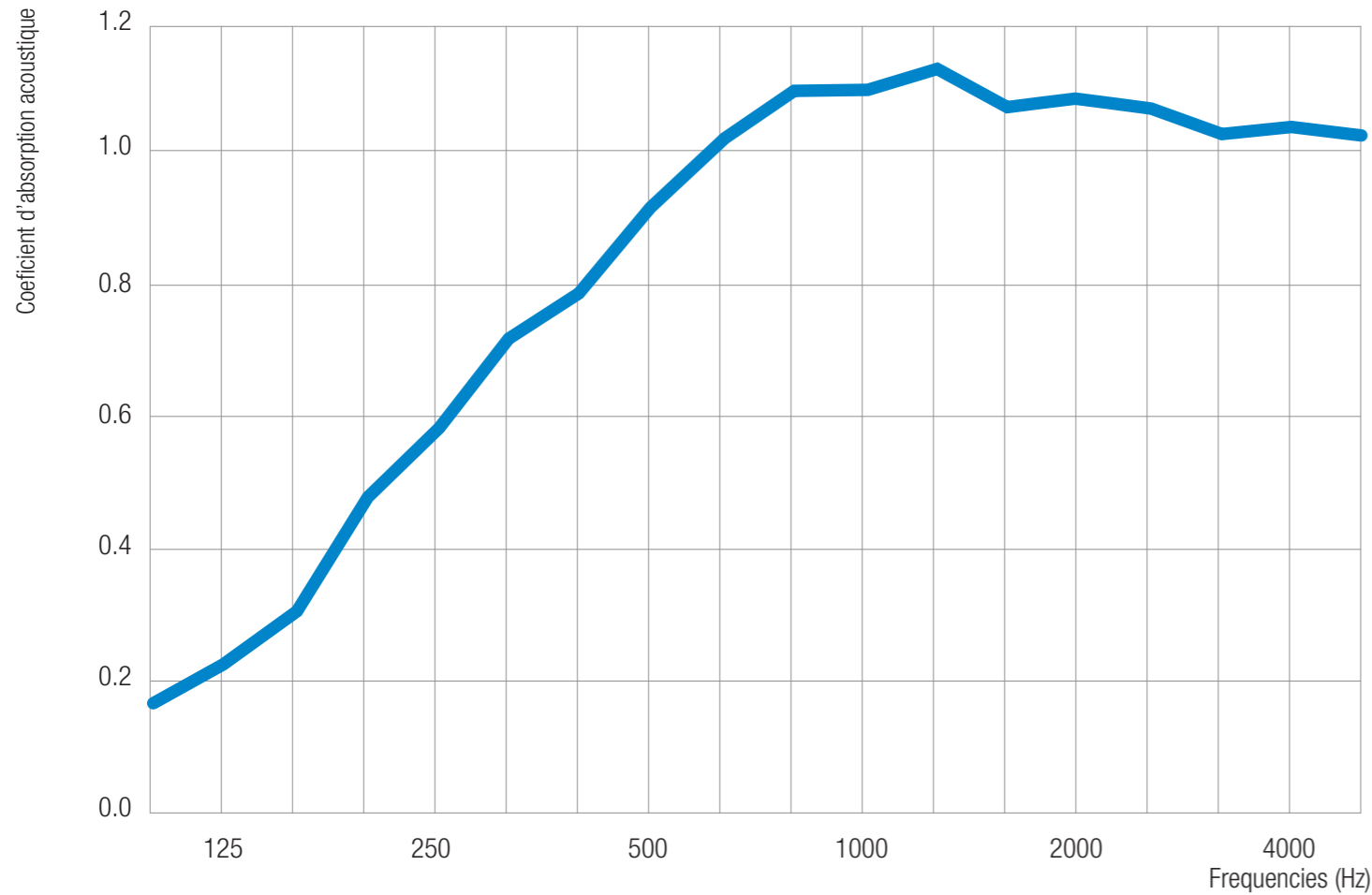


# PURE-KUSTIK

## ACOUSTIC PERFORMANCE

Sound absorption indices according to ISO11654 .

Sources: Rapport n° BEB2.M.6077-3, Departement Enveloppe Du Batiment



Without air gap		
Hz	Third of an octave	Octave
100	0.17	0.25
125	0.23	
160	0.31	
200	0.48	0.60
250	0.58	
315	0.72	
400	0.79	0.90
500	0.92	
630	1.02	

Without air gap		
Hz	Third of an octave	Octave
800	1.09	1.00
1000	1.09	
1250	1.12	1.00
1600	1.07	
2000	1.08	
2500	1.07	1.00
3150	1.03	
4000	1.04	
5000	1.03	
<b>alpha_w 0.9</b>	<b>A</b>	
<b>Class absorption</b>		

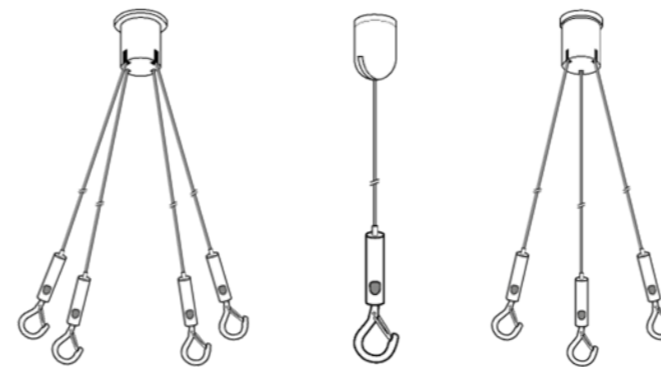
## IMPLEMENTATION: CABINET OR ISLAND

The panels can be mechanically fixed or glued. The surface receiving the panel should be clean, free of oil, dust and grease. Always perform a test with the glue to ensure compatibility and adhesion while strictly following the bonding instructions provided by the manufacturer.

The panels can be installed using TECSOUND suspension kits (contact us). For optimal acoustic correction, please leave a spacing between the edges of the panels of 5 cm.

The material withstands temperatures from -30°C to 120°C

Polyester wool can be cut with a sharp ceramic knife, scissors, filament, band saw, or foam saw. Maintenance: The surface can be easily cleaned with a vacuum cleaner and a soft brush.



## IMPLEMENTATION: ADHESIVE MODULES

The PURE-KUSTIK range can also have a surface equipped with an adhesive. Protected by a silicone yellow film, it is thus possible to adhere the panel directly to its support.

The panels must be glued to clean, dry supports free of traces of oils, greases, dust or solvents. After removing the protective film from the adhesive, uniform pressure should be exerted for adhesion over the entire surface and to prevent the formation of air bubbles. Please note that once the adhesive is applied, the panel is no longer moveable.

## ENVIRONMENTAL CHARACTERISTICS

The PURE-KUSTIK range is manufactured without VOC or formaldehyde emissions: product classified A+ (ISO 16000) according to report no. 72153D and Öko-Tex 100 environmental label class 1 (ISO 17050-1) – report no. 1596. Recyclable product (100% PET)

## SURFACE COVERINGS

- Addition of a black film on the surface, for water and oil repellent protection
- Addition of aluminum on the surface for a heat shield function (heat reflection)
- Available with a self-adhesive side
- Other options (digital printing, shapes and sizes) on request with minimum order

## MODE OF APPLICATION AND STORAGE CONDITIONS

The ambient temperature during installation must be between 15 and 30°C. Products must be stored in enclosed and dry places, not subject to strong variations in humidity.

Storage and transport conditions:

- PURE-KUSTIK panels must be stored indoors, protected from the elements.
- No other product or object should be stored on top, the cartons are stackable between them.

## SPECIAL INDICATIONS

The information on this sheet is the result of our experience and can in no way engage our responsibility, given the diversity of materials encountered on the market and the various application processes that do not depend on our field of influence. We strongly advise you to determine by preliminary tests on your materials and according to your specific application, whether the product meets the requirements your project requires.

The material generally meets hygiene, health, and environmental requirements. For further information, please refer to the Safety Data Sheet.

TECSOUND reserves the right, according to the evolution of knowledge and techniques, to modify without notice the composition and conditions of use of its materials and therefore subsequently their price. Consequently, any order will only be accepted under the conditions and technical specifications in force on the day of receipt thereof.



**SOPREMA** at your service:

Do you have a question about a specific project, the products or application possibilities? Then contact our technical team.

All information can be found on:  
**[www.soprema.co.uk](http://www.soprema.co.uk)**

**SOPREMA UK**

SOPREMA House  
Freebournes Road  
Witham, Essex, CM8 3JN

Tel : +44 (0)330 058 0668  
[info@soprema.co.uk](mailto:info@soprema.co.uk)  
[www.soprema.co.uk](http://www.soprema.co.uk)

